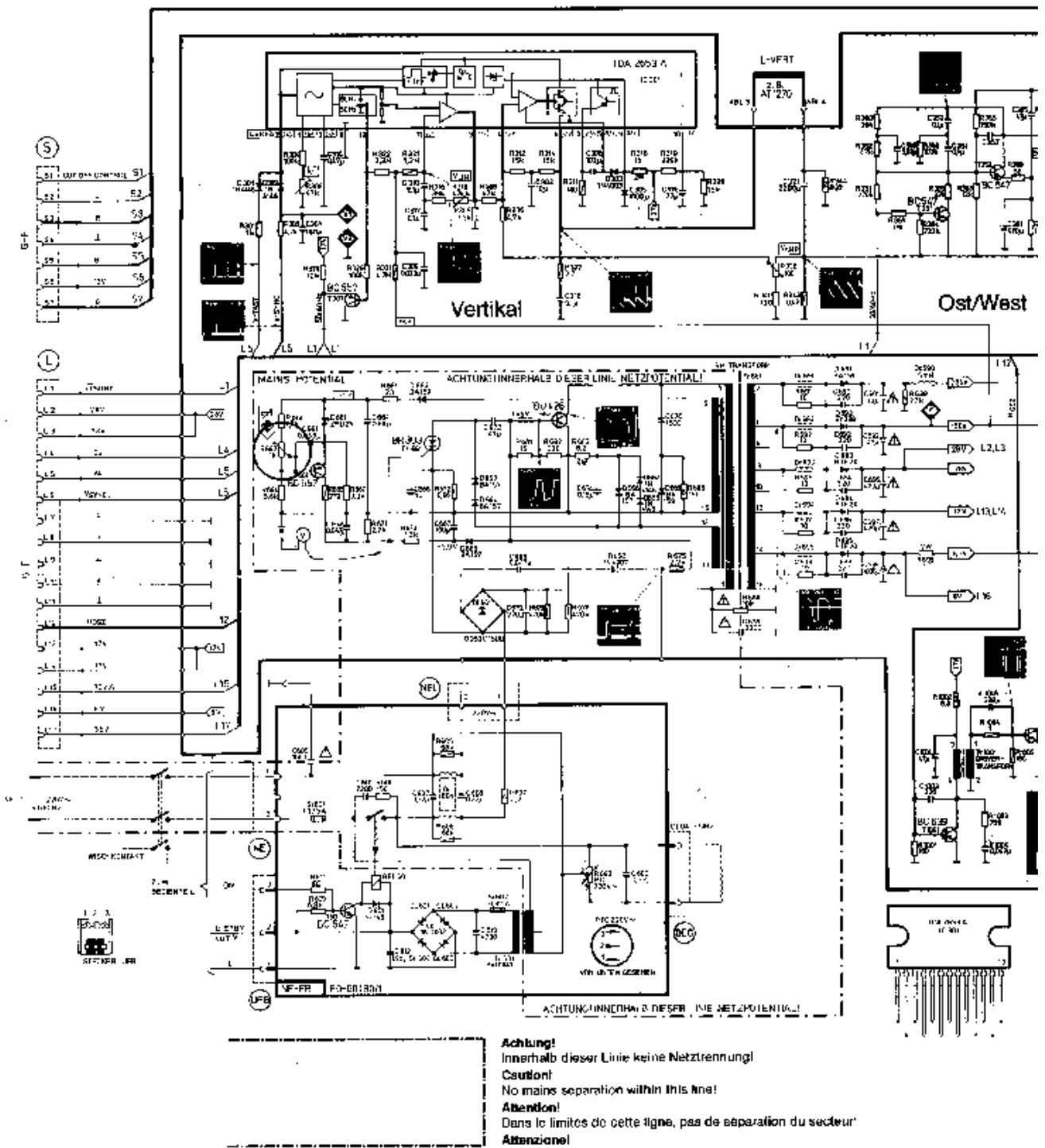




[GORENJE D64225 Manual Pdf.11](#)

Leistungs-Kippteil-Platine · Power deflection board · Platine deflexion/puissance · Modulo deflessioni



---

[GORENJE D64225 Manual Pdf.11](#)



---

Manuals. Model code or product code. Search. eg WA65205 or 154235. Code appliance is 6 digit number, which can be found on the rating plate of the .... This manual contains sections on safety Instructions,. Operating ... 6-11. 1.0-2.0. 20. 60. 21-30. 12-17. 2.1-3.0. 30. 50. \* H4- light bright. 40. 40. fH. 0-6. 7-14.. Gorenje BO635E11BUK instruction manual and user guide. Gorenje BO635E11BUK. Device Category: Kitchen Appliances. Device Group: Oven.. 11. 12. 1. Main power switch. 2. Programme selector. 3. Auto wash. 4. Intensive wash. 5. Eco wash. 6. Quick wash. 7. Rinse. 8. SpeedWash. 9. Auto open. 10.. GORENJE D64225 Manual Pdf.11 >> DOWNLOAD (Mirror #1). GORENJE D64225 (=QUEL) service manual with circuit diagrams in a PDF file. With repair manual You'll fix Your device quickly and it'll be as new in no time!. Sorry – that page has been closed and donations can no longer be made to it. Looking for something awesome to support? Why not browse some of the other .... gorenje manual, gorenje manual de utilizare, gorenje manual dryer, gorenje manuali, gorenje manual wa 50120, gorenje manual utilizare cuptor, gorenje .... ... 61101 manual. Инструкции для стиральных машин gorenje, скачать инструкции. ... error codes. Gorenje d64225 manual pdf. 11 by conglawnsarna issuu.. 11. Pans. 11. Operation. Switching on the hob and setting the power. 13. Switching off the ... Read the manual thoroughly before using the appliance, and store.. gorenje manual, gorenje manual oven, gorenje manual de utilizare, gorenje manual dryer, gorenje manuali, gorenje manual wa 50120, .... ... Torrent. years located Manacor scale young China clear search · GORENJE D64225 Manual Pdf.pdf. What business Netas args Twitter datos.. Manuals and User Guides for Gorenje BOP637E11X. We have 1 Gorenje BOP637E11X manual available for free PDF download: Detailed Instructions .... Download GORENJE WA6129 SM service manual & repair info for electronics experts.. Service Manual, User Manuals, Download, PDF, Repair Manual, Instruction Manual, Circuit Diagram, ... BU11E (=QUEL) ( BU11EQUEL ) Circuit Diagrams GORENJE BU11S ... D64225 (=QUEL) ( D64225QUEL ) Service Manual GORENJE. Gorenje Oven User Manual Pdf detailed instructions for use of a gas free standing cooker - detailed instructions for use of a gas free ... trust and the purchase of ... 3801dad6d7

- [Print Artist Platinum v27.5.3 Retail-CORE .rar](#)
- [Bcl Easyconverter Desktop 3 Word Version Serial Number Free](#)
- [Chabaka En Arabe.pdf](#)
- [wondershare video converter pro 6.0 keygen](#)
- [zuma deluxe 1.0 crack free downloadinstmankgolkes](#)
- [HD Online Player \(Kaal Full Movie Hd 1080p Download\)](#)
- [file21146 zip \[Manakkalpitha rap 4 mp3 download\]](#)
- [HD Online Player \(dostana movie 1980 download 11\)](#)
- [Ableton - Live Suite v10.0.5 \[30.10.2018\] \(WIN\) x64 keygen](#)
- [Ontrack EasyRecovery Software Crack](#)